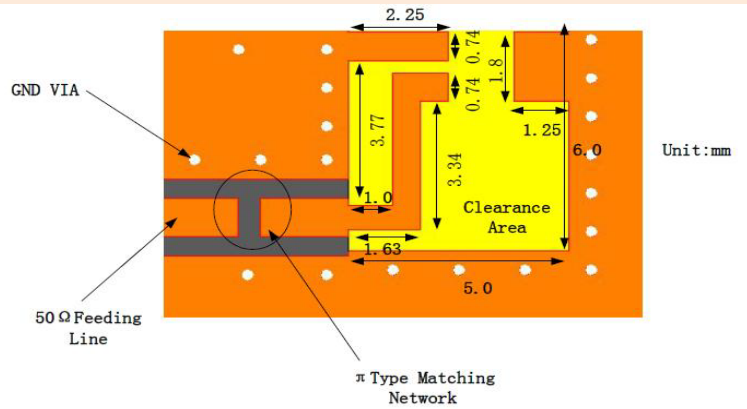
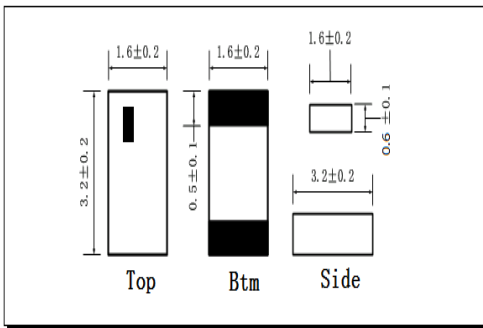


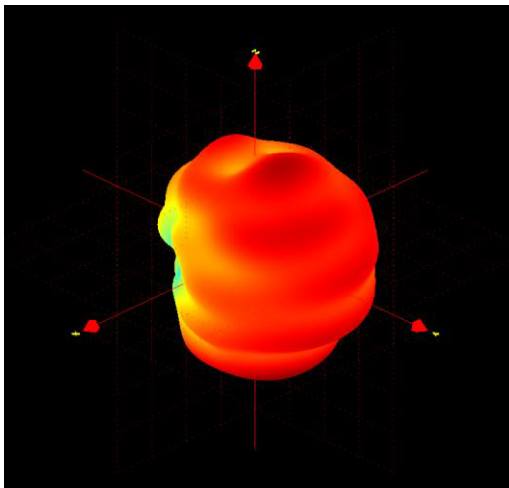
Specification

Frequency Range	1555MHz~1595MHz
V. S. W. R	≤2.0
Impedance	50Ω
Gain	1.41dBi
Azimuth	Omni-directional
Polarization	Linear
Impedance	50 Ω
Azimuth Beam width	Omni-directional

Dimension (mm)



Performance



Test Graph

