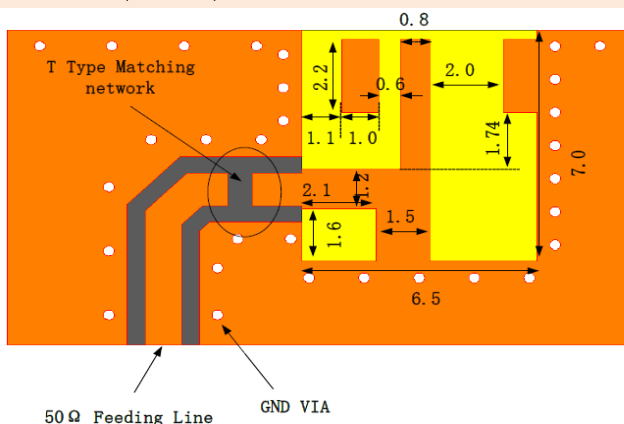
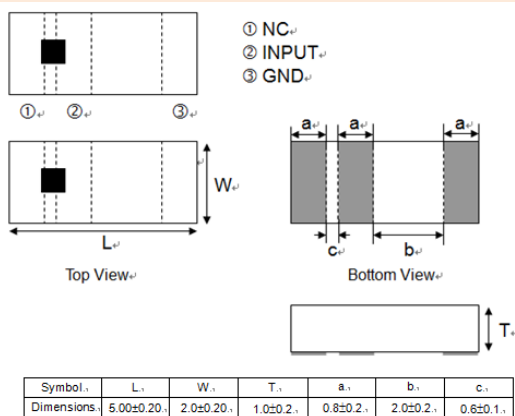


Specification

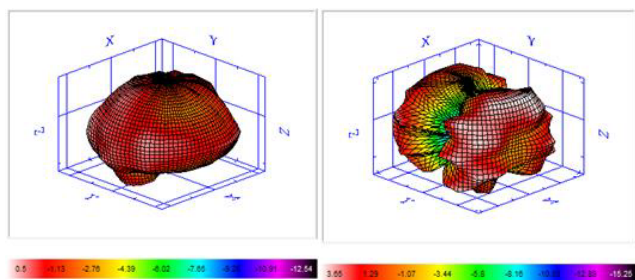
Frequency Range	2400MHz~2500MHz/5150 MHz~5850MHz
V. S. W. R	≤2.0
Impedance	50Ω
Gain	0.5dBi/3.65dBi
Azimuth	Omni-directional
Polarization	Linear
Impedance	50 Ω
Azimuth Beam width	Omni-directional

Dimension (mm)



Unit:mm

Performance



2450MHz

5500MHz

Test Graph

